

30 BR Remington

Test Specifications/ Components

Firearm Used: Savage Model 11

Barrel Length: 26"

Twist: 1 x 10"

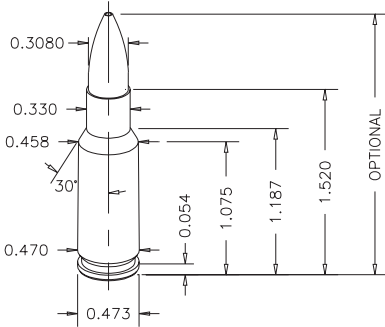
Case: Remington 7 BR reformed

Trim-to Length: 1.510"

Primer: Remington 7 1/2

Remarks:

Another outgrowth of the Remington Benchrest family of cartridges, the 30 BR is probably the least encountered member. It is not well suited to the rifle version of the metallic silhouette game, which makes it primarily a hunting cartridge. It doesn't fare badly in this role. Providing ballistics



similar to those of the venerable 30-30 Winchester, the 30 BR is suitable to the same size game, albeit out to slightly greater ranges. Since most of the rifles built around the little BR cartridge are bolt actions, they are not limited to the flat-nose designs of the 30-30 WCF. The result is a slight improvement in the useful range of the cartridge at the same velocity levels. A light, handy little rifle, such as the Remington Model Seven, chambered for the 30 BR makes an ideal combination for a shooter sensitive to recoil.

Considering the reduced capacity of the BR case, the 30 caliber incarnation would be best with lighter weight bullets. Projectiles heavier than about 165 grains simply can't be driven fast enough to give decent results. The little BR will generally give optimum performance with bullets of 125 to 150 grains, out to about 200 yards.

Cases are best formed from 7mm BR brass, necked up to accept .308" diameter projectiles. In our experience, this is best done via a tapered expander, such as those available from Redding or Sinclair. Cases can be formed from the standard length 308 Winchester brass, but this is a much more labor-intensive process and not recommended. In addition to the extra work involved, the resulting cases will have the large primer pocket and require different loading data. Dies are a specialty item, but are available as a custom item from all of the larger manufacturers.

The 30 BR is a good example of a cartridge in search of a niche. There are virtually no tasks it can perform better than a number of existing factory cartridges. Consequently, the costs and tribulations associated with building a wildcat should be weighed carefully before committing to such a cartridge.

30 BR Remington continued

#2100 .308" 110 gr. RN
C.O.A.L. 2.090"



#2105 .308" 110 gr. FMJ
C.O.A.L. 2.090"



#2110 .308" 110 gr. HP
C.O.A.L. 2.100"



Powder↓/Velocity→	2400	2500	2600	2700	2750	2800	2850
AA-1680		26.1	27.6	29.1	29.8	30.6	31.3
Viht N133	30.0	31.1	32.2	33.3	33.8	34.4	
RE-7	25.9	27.2	28.5	29.8	30.4		
Benchmark	31.1	32.2	33.4	34.5	34.9	35.6	
H322	30.1	31.2	32.3	33.4	33.9	34.5	
H4895	32.2	33.6	35.0	36.4	37.1		
IMR-4895	32.9	34.2	35.5	36.8			
AA-2520	32.9	34.0	35.1	36.2	36.7		
Energy/ft.lbs.	1407	1526	1651	1781	1847	1915	1984
	Powder	Grains	Velocity	Ft. lbs.			
Accuracy Load	RE-7	29.8	2700	1781			
Hunting Load	H322	34.5	2800	1915			

#2120 .308" 125 gr. SPT
C.O.A.L. 2.220"



Powder↓/Velocity→	2300	2400	2500	2600	2700	2750
Viht N133	28.2	29.5	30.8	32.1	33.4	34.0
RE-7	24.9	26.3	27.7	29.1	30.5	
Benchmark	29.6	30.9	32.2	33.5	34.8	
H322	29.2	30.4	31.6	32.8	34.0	
H4895	30.8	32.1	33.4	34.7	36.0	
IMR-4895	31.7	32.9	34.1	35.3	36.5	
AA-2520	31.7	32.9	34.1	35.3	36.5	
Energy/ft.lbs.	1468	1599	1735	1876	2023	2099
	Powder	Grains	Velocity	Ft. lbs.		
Accuracy Load	H4895	34.7	2600	1876		
Hunting Load	H4895	36.0	2700	2023		

INDICATES MAXIMUM LOAD – USE CAUTION
LOADS LESS THAN MINIMUM CHARGES SHOWN ARE NOT RECOMMENDED.

30 BR Remington continued

#7350 .308" 135 gr. SPT SSP
 C.O.A.L. 2.225"



Powder↓/Velocity→	2300	2400	2500	2600	2700	2750
Viht N133	28.1	29.6	31.1	32.6	34.1	
IMR-4198	25.5	26.8	28.1	29.4	30.7	31.3
Benchmark	29.9	31.2	32.5	33.8	35.1	
H322	28.9	30.2	31.5	32.8	34.1	
H335	29.5	31.1	32.7	34.3	35.9	36.7
H4895	31.1	32.4	33.7	35.0	36.3	
IMR-4895	31.7	32.9	34.1	35.3	36.5	
AA-2520	31.7	32.9	34.1	35.3	36.5	
Energy/ft.lbs.	1586	1727	1874	2026	2185	2267
	Powder	Grains	Velocity	Ft. lbs.		
Accuracy Load	H4895	35.0	2600	2026		
Hunting Load	IMR-4198	31.3	2750	2267		

INDICATES MAXIMUM LOAD – USE CAUTION
LOADS LESS THAN MINIMUM CHARGES SHOWN ARE NOT RECOMMENDED.

30 BR Remington continued

#2115 .308" 150 gr. FMJBT
C.O.A.L. 2.260"



#2125 .308" 150 gr. SBT
C.O.A.L. 2.275"



#2130 .308" 150 gr. SPT
C.O.A.L. 2.275"



#2135 .308" 150 gr. RN
C.O.A.L. 2.150"



#2155 .308" 155 gr. HPBT
Palma MatchKing
C.O.A.L. 2.275"



#2190 .308" 150 gr. HPBT MatchKing
C.O.A.L. 2.275"



Powder+Velocity→	2200	2300	2400	2500	2600	2650
Viht N133	27.7	29.2	30.7	32.2	33.7	
IMR-4198	24.9	26.3	27.7	29.1	30.5	
Benchmark	28.1	29.6	31.1	32.6	34.1	
H322	28.1	29.5	30.9	32.3	33.7	
H335		30.7	32.3	33.9	35.5	36.3
H4895		30.7	32.2	33.7	35.2	35.9
IMR-4895	30.6	31.8	33.0	34.2	35.4	
AA-2520		31.4	32.8	34.2	35.6	36.3
Energy/ft.lbs.	1666	1821	1982	2151	2327	2417

	Powder	Grains	Velocity	Ft. lbs.
Accuracy Load	AA-2520	35.6	2600	2327
Hunting Load	AA-2520	36.3	2650	2417

Sierra does not recommend MatchKing bullets for hunting applications.

INDICATES MAXIMUM LOAD – USE CAUTION
LOADS LESS THAN MINIMUM CHARGES SHOWN ARE NOT RECOMMENDED.

30 BR Remington continued

#2140 .308" 165 gr. HPBT
C.O.A.L. 2.225"



#2145 .308" 165 gr. SBT
C.O.A.L. 2.300"



#2200 .308" 168 gr. HPBT MatchKing
C.O.A.L. 2.300"



Powder↓/Velocity→	2000	2100	2200	2300	2400	2500	2550
Viht N133	25.0	26.4	27.8	29.2	30.6	32.0	
IMR-4198	23.0	24.2	25.4	26.6	27.8	29.0	
Benchmark	26.0	27.3	28.6	29.9	31.2	32.5	
H322	25.1	26.5	27.9	29.3	30.7	32.1	32.8
AA-2230	27.0	28.4	29.8	31.2	32.6	34.0	
H4895	27.2	28.5	29.8	31.1	32.4	33.7	34.3
IMR-4895	27.6	28.9	30.2	31.5	32.8	34.1	
Viht N135	26.0	27.4	28.8	30.2	31.6	33.0	
AA-2520	28.1	29.3	30.5	31.7	32.9	34.1	34.7
Energy/ft.lbs.	1492	1645	1805	1973	2149	2332	2426

	Powder	Grains	Velocity	Ft. lbs.
Accuracy Load	H4895	32.4	2400	2149
Hunting Load	H322	32.1	2500	2332

Sierra does not recommend MatchKing bullets for hunting applications.

INDICATES MAXIMUM LOAD – USE CAUTION

LOADS LESS THAN MINIMUM CHARGES SHOWN ARE NOT RECOMMENDED.

30 BR Remington continued

**#2275 .308" 175 gr. HPBT
MatchKing C.O.A.L. 2.300"**



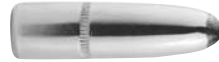
**#2150 .308" 180 gr. SPT
C.O.A.L. 2.300"**



**#2160 .308" 180 gr. SBT
C.O.A.L. 2.300"**



**#2170 .308" 180 gr. RN
C.O.A.L. 2.200"**



**#2220 .308" 180 gr. HPBT MatchKing
C.O.A.L. 2.300"**



Powder↓/Velocity→	1900	2000	2100	2200	2300	2350	2400
Viht N133	24.6	26.2	27.8	29.4	31.0		
IMR-4198	22.3	23.7	25.1	26.5	27.9		
Benchmark	24.8	26.4	28.0	29.6	31.2	32.0	
H322	24.6	26.1	27.6	29.1	30.6		
AA-2230	26.0	27.6	29.2	30.8	32.4	33.2	34.0
H4895		27.5	29.0	30.5	32.0	32.8	33.5
IMR-4895	27.0	28.3	29.6	30.9	32.2	32.8	33.5
Viht N135		26.5	28.2	29.9	31.6		
AA-2520	26.6	28.0	29.4	30.8	32.2	32.9	33.6
Energy/ft.lbs.	1443	1599	1763	1934	2114	2207	2302

	Powder	Grains	Velocity	Ft. lbs.
Accuracy Load	H322	29.1	2200	1934
Hunting Load	H322	30.6	2300	2114

Sierra does not recommend MatchKing bullets for hunting applications.

**INDICATES MAXIMUM LOAD – USE CAUTION
LOADS LESS THAN MINIMUM CHARGES SHOWN ARE NOT RECOMMENDED.**

30 BR Remington continued

#2210 .308" 190 gr. HPBT MatchKing
C.O.A.L. 2.300"



Powder↓/Velocity→	1900	2000	2100	2200	2300	2350	2400
Viht N133	24.8	26.2	27.6	29.0	30.4	31.1	
IMR-4198	22.5	23.8	25.1	26.4			
Benchmark	25.4	26.8	28.2	29.6	31.0		
H322	25.3	26.5	27.7	28.9	30.1		
AA-2230	26.5	27.9	29.3	30.7	32.1	32.8	33.5
H4895	26.7	27.9	29.2	30.5	31.8	32.4	33.1
IMR-4895	27.0	28.3	29.6	30.9	32.2		
Viht N135	25.9	27.3	28.7	30.1	31.5		
AA-2520	27.4	28.6	29.8	31.0	32.2	32.8	33.4
Energy/ft.lbs.	1523	1687	1861	2042	2232	2330	2430

	Powder	Grains	Velocity	Ft. lbs.
Accuracy Load	Viht N133	30.4	2300	2232

Sierra does not recommend MatchKing bullets for hunting applications.

#2165 .308" 200 gr. SBT
C.O.A.L. 2.300"



#2230 .308" 200 gr. HPBT MatchKing
C.O.A.L. 2.300"



Powder↓/Velocity→	1800	1900	2000	2100	2150	2200	2250	2300
Benchmark	24.4	25.8	27.2	28.6	29.3	30.0		
AA-2230	24.9	26.5	28.1	29.7	30.5			
H4895	25.4	26.8	28.2	29.6	30.3	31.0		
IMR-4895	25.8	27.1	28.4	29.7	30.3	31.0		
AA-2520	26.5	27.7	28.9	30.1	30.7	31.3	31.9	32.5
Energy/ft.lbs.	1439	1603	1776	1958	2053	2149	2248	2349

	Powder	Grains	Velocity	Ft. lbs.
Accuracy Load	H4895	30.3	2150	2053
Hunting Load	H4895	31.0	2200	2149

Sierra does not recommend MatchKing bullets for hunting applications.

INDICATES MAXIMUM LOAD – USE CAUTION
LOADS LESS THAN MINIMUM CHARGES SHOWN ARE NOT RECOMMENDED.